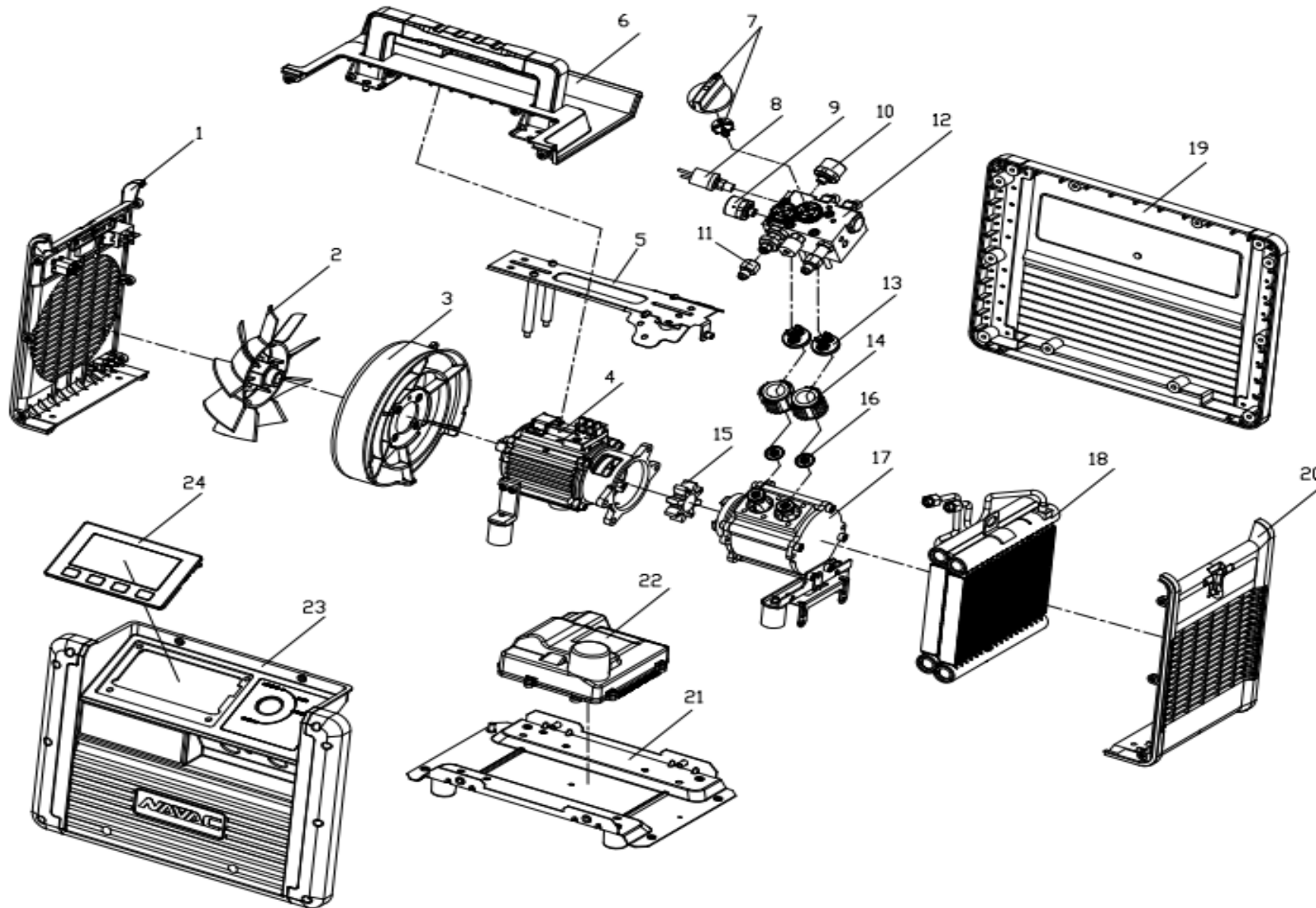


NRDD Parts Diagram



Ref No.	Part No.	Description
1	DD24001	left side plate
2	DD24002	Fan
3	DD24003	Wind Guide Cover
4	DD24004	Motor
5	DD24005	Support Assy
6	DD24006	Top Plate
7	DD24007	Knob
8	DD24008	High pressure switch
9	DD24009	Low pressure sensor
10	DD24010	High pressure sensor
11	DD24011	Filter fitting
12	DD24012	Control Assy block
13	DD24013	Valve Assy
14	DD24014	Cylinder
15	DD24015	Coupling
16	DD24016	Pinston ring Set
17	DD24017	compressor
18	DD24018	Condenser
19	DD24019	Rear Plate
20	DD24020	Right side plate
21	DD24021	Base
22	DD24022	Motor Control
23	DD24023	Front side plate
24	DD24024	Digital control Board
Not Shown	DD24025	Power Switch
Not Shown	RR24001	O.F.P Cable
Not Shown	RR24013	Power Cord
Not Shown	RR24021	Filter Drier
Not Shown	RR24022	Strap
Not Shown	RR24002-10	Filter Screen
Not Shown	DD24017-1	Fuse For Control PCB